

Zenith



# ZL120135

## Constant Current Discharge Rating Amperes @ 25°C (77°F)

Cut off voltage V/cell	30M	45M	1H	2H	3H	5H	8H	10H	12H	20H	24H
1.75V	35	26.3	20.6	10.7	7.9	5.6	3.9	3.2	2.7	1.8	1.5

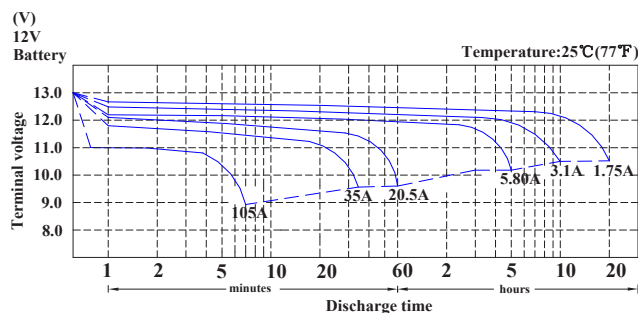
## Characteristics

Capacity 25°C (77°F)	20 hour rate (1.75A to 10.5Volts) 10 hour rate (3.1A to 10.5Volts) 5 hour rate (5.8A to 10.2Volts)	35AH 31AH 29AH
Internal Resistance	Full charged Battery 25°C (77°F)	9mΩ
Capacity affected by Temperature (20 hour rate)	40°C (104°F) 25°C (77°F) 0°C (32°F) -15°C (5°F)	102% 100% 85% 65%
Self-Discharge 25°C (77°F)	Capacity after 3 month storage Capacity after 6 month storage Capacity after 12 month storage	91% 82% 64%
Standard Terminal	M6	
Max. Discharge Current 25°C (77°F)	450A (5s)	
Cranking Performance	Cranking Amps (30-sec amps to 7.2V @ 0°C (32°F)) Cold Cranking Amps (30-sec amps to 7.2V @ -18°C (0°F))	230A 190A
Reserve Capacity (Minutes to 10.5V at 27°C (80°F))	@ 25Amps @ 75Amps	52Min
Charging (Constant Voltage)	Cycle Initial Charging Current 7A Or Small 14.5V~14.9V/ 25°C (77°F) Float 13.6V~13.8V/ 25°C (77°F)	

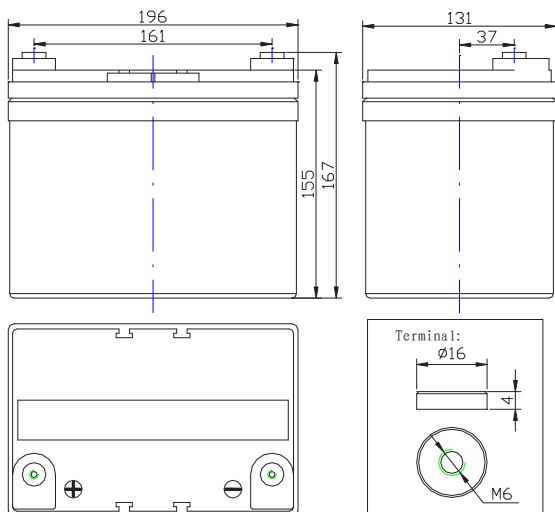
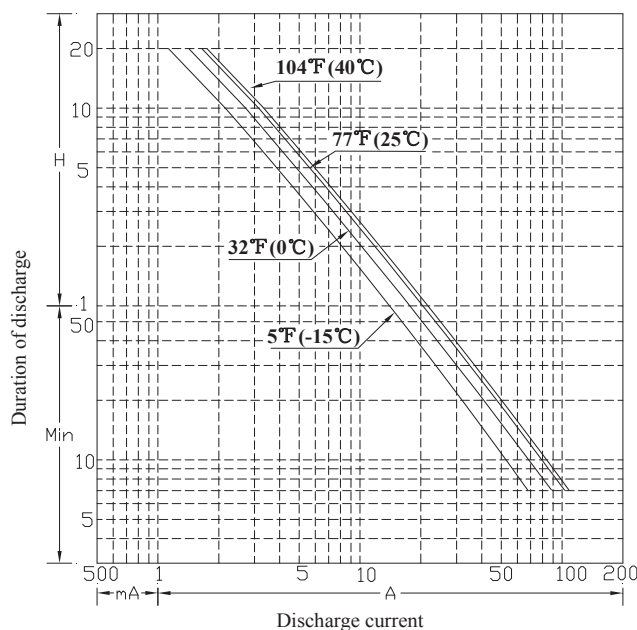
## Specifications

Nominal Voltage	12V	
Rated Capacity (20 hour rate)	35Ah	
Dimension	Total Height (with terminals)	167mm (6.57 inches)
	Height	155mm (6.10 inches)
	Length	196mm (7.72 inches)
	Width	131mm (5.16 inches)
Weight	Approx. 11.5kg (25.35 lbs)	

## Discharge characteristics 25°C (77°F)



## Duration of discharge vs. Discharge current



This information is generally descriptive only and is not intended to make or imply any representation, guarantee or warranty with respect to any cells and batteries. Cell and battery designs/specification are subject to modification without notice. Contact U.B.S. UNION BATTERY SERVICE for the latest information.

DIVISION OF



[www.zenithdcbattery.com](http://www.zenithdcbattery.com)