

SK12-5,2 12V - 5,2AH

The rechargeable batteries are lead-lead dioxide systems. The dilute sulfuric acid electrolyte is absorbed by separators and plates and thus immobilized. Should the battery be accidentally overcharged producing hydrogen and oxygen, special one-way valves allow the gases to escape thus avoiding excessive pressure build-up. Otherwise, the battery is completely sealed and is, therefore, maintenance-free, leak proof and usable in any position.



Battery construction

Component	Positive plate	Negative plate	Container	Cover	Safety Valve	Terminal	Separator	Electrolyte
Raw material	Lead dioxide	Lead	ABS	ABS	Rubber	Copper	Fiberglass	Sulfuric acid

General features

- Absorbent Glass Mat (AGM) technology for efficient gas recombination of up to 99% and freedom from electrolyte maintenance or water adding.
- Not restricted for air transport-complies with IATA/ICAO Special Provision A67.
- UL-recognized component.
- Can be mounted in any orientation.
- Computer designed lead, calcium tin alloy grid for high power density
- Long service life, float or cyclic applications.
- Maintenance-free operation.
- Low self discharge.

Dimensions and weight

Length (mm / inch)	90 / 3,54
Width (mm / inch)	70 / 2,76
Height (mm / inch)	101 / 3,98
Total Height (mm / inch)	107 / 4,21
Approx Weight (Kg / lbs)	1,80 / 3,97

Terminal Type : F2 (6,3MM)

Performance characteristics

NOMINAL VOLTAGE	12V
NUMBER OF CELL	6
NOMINAL CAPACITY (25°C)	
20 hour rate (0.26A - 10.5V).....	5.20Ah
10 hour rate (0.47A - 10.5V).....	4.70Ah
5 hour rate (0.88A - 10.2V).....	4.40Ah
1 hour rate (3.25A - 9.6V).....	3.25Ah
INTERNAL RESISTANCE	
Fully Charged battery (25°C).....	34 mOhms
SELF-DISCHARGE	
3% of capacity declined per month at 20°C (average)	
OPERATING TEMPERATURE RANGE	
Discharge	-20 — 60°C
Charge.....	-10 — 60°C
Storage.....	-20 — 60°C
MAX DISCHARGE CURRENT	
77°F (25°C).....	75A (5s)
CHARGE METHODS Constant Voltage Charge 77°C (25°C)	
Cycle use	14,4 — 14,7V
Maximum charging current.....	2.0A
Temperature compensation.....	-30mV/°C
Standby use	13,5 — 13,8V
Temperature compensation.....	-20mV/°C

INTERNATIONAL STANDARD REFERENCES

- EN 60896-21
 - EN 60896-22
 - BS 6290-4
 - EN 50272-2
 - EUROBAT 3-5 years
- “Standard commercial”

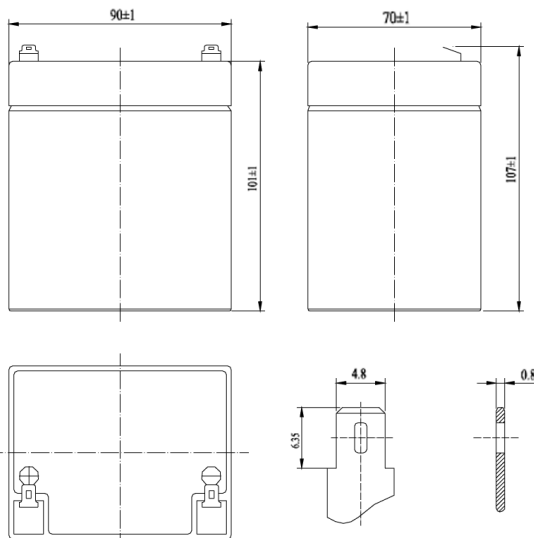
CERTIFIED

- ISO 9001
- ISO 14001
- UL Component

CASE BOX

Available in
Flame Retardant
UL94 V0 version

Battery and terminal dimensions



Discharge constant current (Ampere at 77°F 25°C)

TIME	5 min	10 min	15 min	30 min	60 min	3 h	5 h	10 h	20 h
1.60 V	21,0	12,5	10,0	5,50	3,25	1,39	0,92	0,50	0,27
1.65 V	19,9	11,9	9,56	5,28	3,13	1,35	0,90	0,49	0,27
1.70 V	18,8	11,3	9,10	5,05	3,01	1,30	0,88	0,48	0,27
1.75 V	17,6	10,6	8,63	4,81	2,88	1,25	0,85	0,47	0,26
1.80 V	16,4	10,0	8,14	4,56	2,74	1,19	0,82	0,46	0,26

Discharge constant power (Watts/cell at 77°F 25°C)

TIME	5 min	10 min	15 min	30 min	45 min	60 min	2 h	3 h	5 h
1.60 V	35,0	23,3	18,2	10,3	8,00	6,30	3,73	2,63	1,80
1.65 V	32,8	22,0	17,3	9,70	7,60	6,10	3,62	2,56	1,77
1.70 V	30,7	20,6	16,4	9,10	7,30	5,80	3,50	2,49	1,74
1.75 V	28,5	19,3	15,4	8,60	6,90	5,50	3,36	2,42	1,70
1.80 V	26,4	17,9	14,3	8,10	6,50	5,20	3,22	2,33	1,66