

SK12-120S 12V - 120AH (C/10)

The rechargeable batteries are lead-lead dioxide systems. The dilute sulfuric acid electrolyte is absorbed by separators and plates and thus immobilized. Should the battery be accidentally overcharged producing hydrogen and oxygen, special one-way valves allow the gases to escape thus avoiding excessive pressure build-up. Otherwise, the battery is completely sealed and is, therefore, maintenance-free, leak proof and usable in any position.



Battery construction

Component	Positive plate	Negative plate	Container	Cover	Safety Valve	Terminal	Separator	Electrolyte
Raw material	Lead dioxide	Lead	ABS	ABS	Rubber	Copper	Fiberglass	Sulfuric acid

General features

- Absorbent Glass Mat (AGM) technology for efficient gas recombination of up to 99% and freedom from electrolyte maintenance or water adding.
- Not restricted for air transport-complies with IATA/ICAO Special Provision A67.
- UL-recognized component.
- Can be mounted in any orientation.
- Computer designed lead, calcium tin alloy grid for high power density
- Long service life, float or cyclic applications.
- Maintenance-free operation.
- Low self discharge.

Dimensions and weight

Length (mm / inch)330 / 13,0
 Width (mm / inch)171 / 6,73
 Height (mm / inch).....215 / 8,46
 Total Height (mm / inch).....222 / 8,74
 Approx Weight (Kg / lbs).....32,5 / 71,6

Terminal Type : F12 (M8)

Performance characteristics

NOMINAL VOLTAGE..... 12V
NUMBER OF CELL 6
NOMINAL CAPACITY (25°C)
 20 hour rate (6.30A - 10.8V) 126Ah
 10 hour rate (12.0A - 10.8V) 120Ah
 5 hour rate (18.7A - 10.5V)..... 93.5Ah
 1 hour rate (71.6A - 9.6V) 71.6Ah
INTERNAL RESISTANCE
 Fully Charged battery (25°C) 4.0 mOhms
SELF-DISCHARGE
 3% of capacity declined per month at 20°C (average)
OPERATING TEMPERATURE RANGE
 Discharge -20 — 60°C
 Charge -10 — 60°C
 Storage -20 — 60°C
MAX DISCHARGE CURRENT
 77°F (25°C)..... 950A (5s)
CHARGE METHODS Constant Voltage Charge 77°C (25°C)
Cycle use 14,4 — 14,7V
 Maximum charging current..... 36A
 Temperature compensation..... -30mV/°C
Standby use 13,5 — 13,8V
 Temperature compensation..... -20mV/°C

INTERNATIONAL STANDARD REFERENCES

- EN 60896-21
- EN 60896-22
- BS 6290-4
- EN 50272-2
- EUROBAT 10-12 years
 "High Performance"

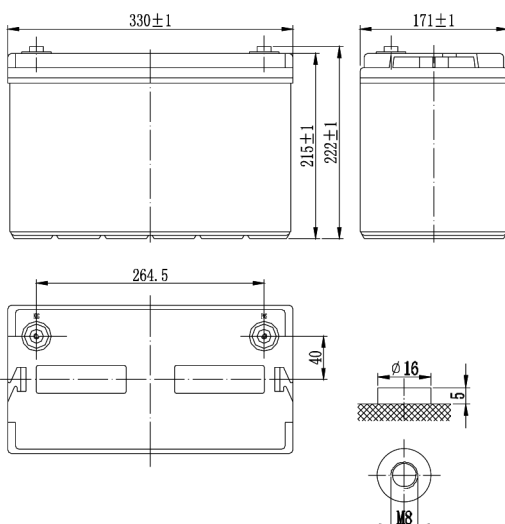
CERTIFIED

- ISO 9001
- ISO 14001
- UL Component

CASE BOX

Available in
 Flame Retardant
 UL94 V0 version

Battery and terminal dimensions



Discharge constant current (Ampere at 77°F 25°C)

TIME	5 min	10 min	15 min	20 min	30 min	45 min	60 min	2 h	3 h	5 h	10 h	20 h
1.60 V	355	50	203	158	120	95,8	71,6	41,9	28,9	19,2	12,4	6,55
1.65 V	329	237	195	156	116	86,1	71,1	41,4	28,3	19,0	12,3	6,50
1.70 V	303	223	187	150	112	83,8	69,7	40,7	27,7	18,8	12,2	6,44
1.75 V	277	210	179	144	108	81,0	67,5	39,8	27,1	18,7	12,1	6,38
1.80 V	253	197	171	137	106	78,9	65,4	37,4	26,3	18,5	12,0	6,30

Discharge constant power (Watts/cell at 77°F 25°C)

TIME	5 min	10 min	15 min	20 min	30 min	45 min	60 min	2 h	3 h	5 h	10 h	20 h
1.60 V	603	449	370	299	227	157	145	77,8	56,1	38,1	23,3	11,0
1.65 V	567	426	358	289	220	153	143	76,4	55,4	37,9	23,2	10,8
1.70 V	530	404	346	280	213	150	141	75,0	54,8	37,6	23,0	10,6
1.75 V	494	383	334	270	206	146	137	73,6	54,1	37,4	22,8	10,4
1.80 V	466	358	322	254	199	143	133	72,9	53,2	37,0	22,3	10,2